



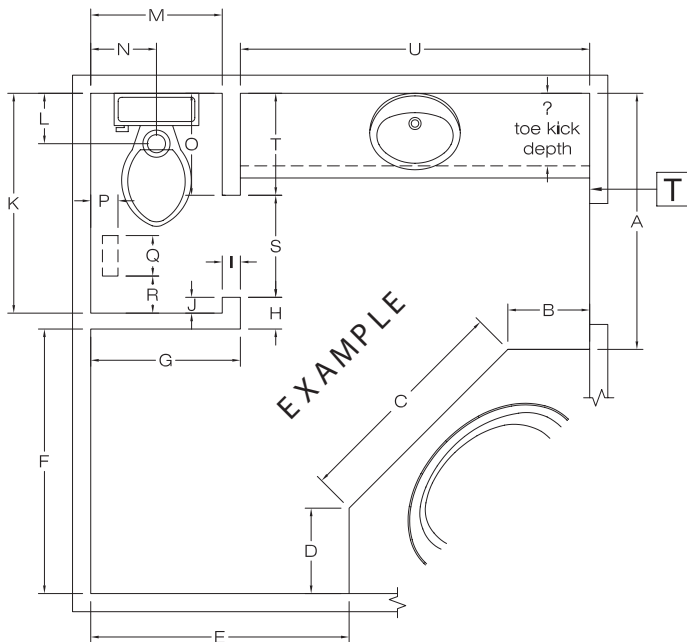
## Nuheat Custom Mat Measuring Instructions

### Step 1 – Drawing Preparations

- Sketch the shape of the room
  - Nuheat drawing paper is available on our web site if required
- Locate toilet, vanities, vents, floor drains, etc. (where applicable)
- Please indicate the proposed thermostat location with a "T"

### Step 2 – Field Measuring

- Using your thermostat location as a starting point, begin measuring the complete inside perimeter of the room at floor level finishing at the same location
- For toilet rooms, letters H, I, J, K, M, O, S & T are required to provide heat through door opening
- For vents, letters P, Q & R are required (where applicable)



### Checklist

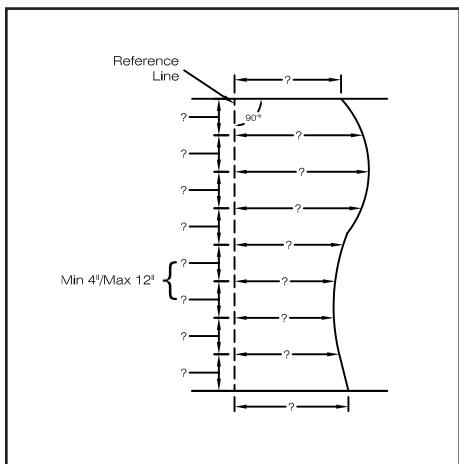
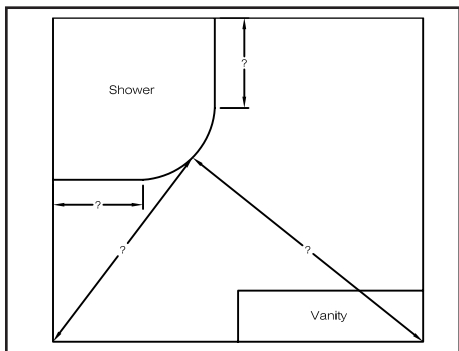
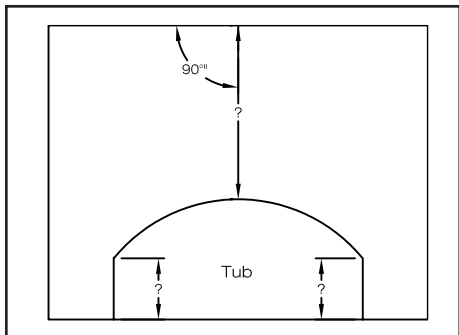
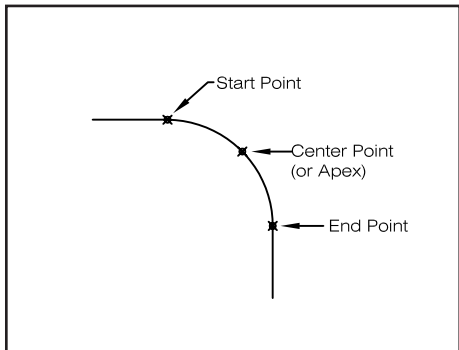
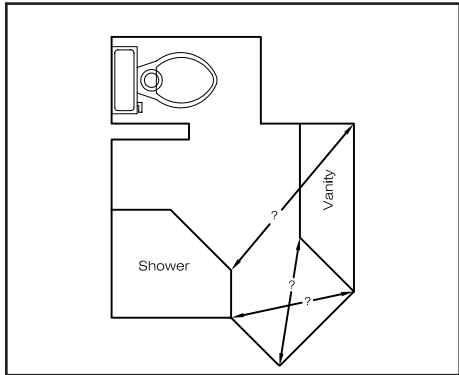
- Thermostat location
- Flooring type:  Tile  Laminate
- Voltage:  120V  240V
- Floor vent locations identified
- Obstructions shown - toilet, cabinets, plumbing, pony walls, etc.
- Special instructions noted (i.e. heat not required, tight coverage requested, etc.)

Please do not hesitate to contact Radiant Source for assistance at 1.800.815.0502  
or visit us on the web at [www.radiantsource.com](http://www.radiantsource.com)

# Measuring Curves and Angles for Nuheat Mat

## Multiple and Compound Angles

For rooms or fixtures with multiple angles, pick a reference point directly across (perpendicular) from an angle corner and measure the distance between these two points (this is an angle lock). This measurement combined with your perimeter dimensions will allow the Design Team to calculate the angles of your walls or fixtures.



## Curves

- 1) Mark the three points of your curve on the floor - the start point, center point (apex) and end point.
- 2) Measure the distance from the start point and end point to the wall or cabinet (toe kick).
- 3) Determine your reference points based on the curve types:

### A) Curve Type #1 - Curve on a straight plane

Pick a point directly across (perpendicular) from the center point or apex of the curve and measure the distance between the two points (this is a curve lock).

### B) Curve Type #2 - Curve on a corner

Measure from the center point or apex to two reference points (corners) in the room and record these measurements on your drawing.

### C) Curve type #3 - Irregular Curves

- 1) Draw a 90 degree reference line from the top to the bottom of the curve - show the reference line on both the floor and your drawing.
- 2) Measure and mark 12" increments along your reference line. Measure and record the distance from the reference line to the curve at each 12" increment.